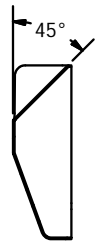
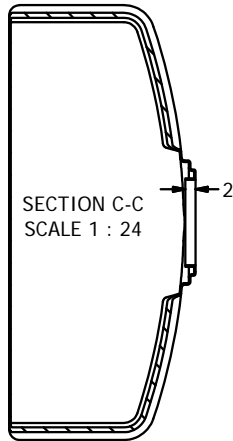
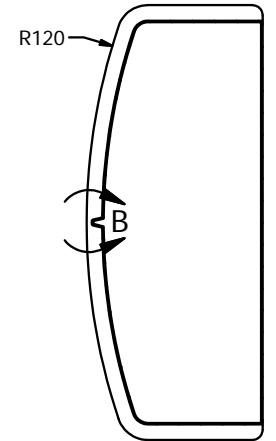
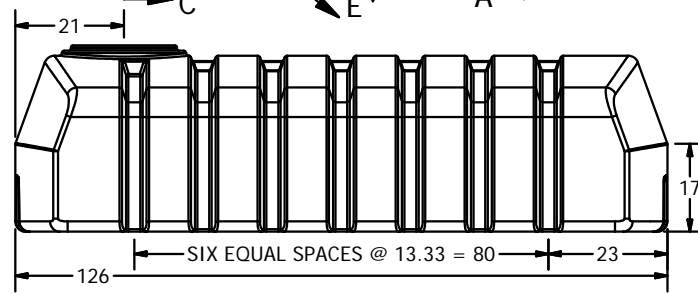
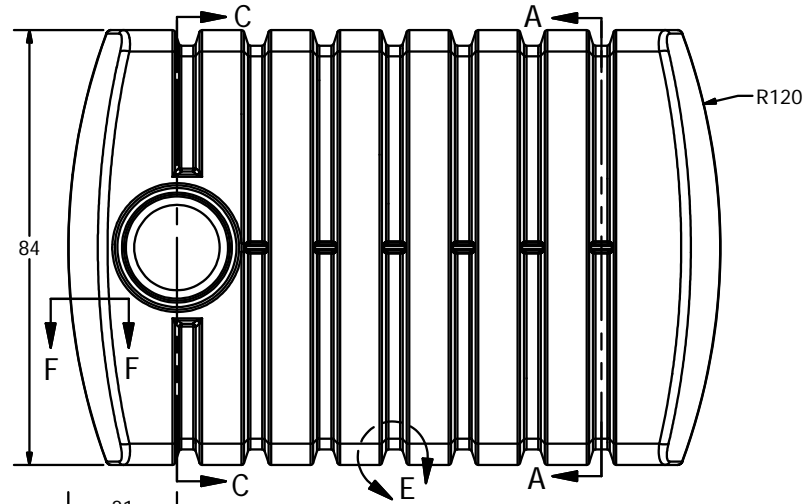


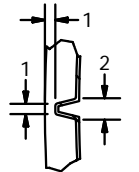
DETAIL E
SCALE 1 / 12



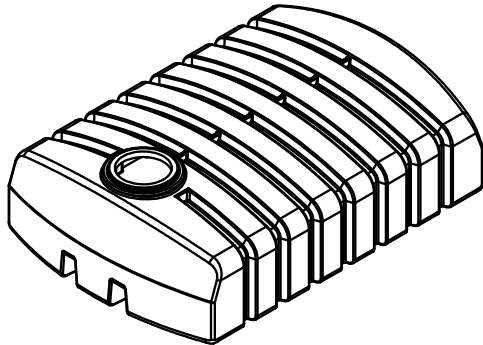
SECTION F-F
SCALE 1 : 24




SECTION A-A
SCALE 1 : 24



DETAIL B
SCALE 1 / 12



FOB ST BONIFACIUS MN AND LANCASTER OH

DRAWN Jerry Paulson	3/23/2009		
CHECKED		NORWESCO, INC., ST. BONIFACIUS, MN	
QA		TITLE	
MFG		1275 GALLON LOW PROFILE WATER TANK	
APPROVED		SIZE B	DWG NO
		SCALE: 1/24	REV
		SHEET 1 OF 1	